

(Unloader included with pump)

## PUMP FEATURES

- Ultimate portability - less than 11 pounds - less than 10" long.
- Unique spring loaded inlet valves and the flow through ceramic plungers provides a smooth, steady flow.
- Optional 3450 or 1725 RPM models for gas or electric drive.
- Regulating Unloader is standard on each pump to assure system pressure control and pump protection.
- Special HT and FPM seals and FPM or EPDM O-Rings for liquid compatibility.

## COMMON PUMP SPECIFICATIONS

Inlet Pressure Range. (Standard)	Flooded to 75 psi	(Flooded to 5.25 bar)
..... (Hi-Temp)	30 to 75 psi	(2.1 to 5.25 bar)
Bore.....	0.708"	(18 mm)
Max. Liquid Temperature(Standard)	160°F	(71°C)
..... (Hi-Temp)	190°F	(88°C)

Above 130°F call CAT PUMPS for inlet conditions and elastomer recommendations.

Crankcase Capacity.....	11.83 oz.	(.35 l)
Inlet Ports (1).....	3/8" NPTF	(3/8" NPTF)
Discharge Ports (2).....	3/8" NPTF	(3/8" NPTF)
By-Pass Ports (1).....	1/4" NPTF	(1/4" NPTF)
Weight (Pump Only).....	10.6 lbs.	(4.8 kg)
Dimensions (Pump Only).....	9.13 x 6.65 x 6.50" (232 x 169 x 165mm)	

### ⚠ CAUTIONS AND WARNINGS

All High Pressure Systems require a primary pressure regulating device (i.e. regulator, unloader) and a secondary pressure relief device (i.e. pop-off valve, relief valve). Failure to install such relief devices could result in personal injury or damage to pump or property. CAT PUMPS does not assume any liability or responsibility for the operation of a customer's high pressure system.

Read all CAUTIONS and WARNINGS before commencing service or operation of any high pressure system. The CAUTIONS and WARNINGS are included in each service manual and with each Accessory Data sheet. CAUTIONS and WARNINGS can also be viewed online at [www.catpumps.com/cautions-warnings](http://www.catpumps.com/cautions-warnings) or can be requested directly from CAT PUMPS.

### WARRANTY

View the Limited Warranty on-line at [www.catpumps.com/warranty](http://www.catpumps.com/warranty).

## Direct-Drive Plunger Pumps

### Electric Models

**2SF10ES**

**2SF20ES, 2SF22ES, 2SF22ELS**

**2SF29ELS, 2SF30ES, 2SF35ES**

### Gas Models

**2SF30GS, 2SF35GS**

## SPECIFICATIONS

	U.S. Measure	Metric Measure	U.S. Measure	Metric Measure
<b>MODEL</b>	<b>2SF10ES</b>			
Flow.....	1.0 gpm	(3.8 l/m)		
Max. Discharge Pressure.....	2000 psi	(140 bar)		
Max. RPM.....	3450 rpm	(3450 rpm)		
Stroke.....	0.067"	(1.7 mm)		
<b>MODEL</b>	<b>2SF20ES</b>		<b>2SF22ES</b>	
Flow.....	2.0 gpm	(7.6 l/m)	2.2 gpm	(8.3 l/m)
Max. Discharge Pressure.....	2000 psi	(140 bar)	2000 psi	(140 bar)
Max. RPM.....	3450 rpm	(3450 rpm)	3450 rpm	(3450 rpm)
Stroke.....	0.122"	(3.1 mm)	0.132"	(3.35 mm)
<b>MODEL</b>	<b>2SF22ELS</b>			
Flow.....	2.2 gpm	(8.3 l/m)		
Max. Discharge Pressure.....	2000 psi	(140 bar)		
Max. RPM.....	1725 rpm	(1725 rpm)		
Stroke.....	0.248"	(6.3 mm)		
<b>MODEL</b>	<b>2SF29ELS</b>		<b>2SF30ES</b>	
Flow.....	2.85 gpm	(10.8 l/m)	3.0 gpm	(11.4 l/m)
Max. Discharge Pressure.....	1500 psi	(105 bar)	1500 psi	(105 bar)
Max. RPM.....	1725 rpm	(1725 rpm)	3450 rpm	(3450 rpm)
Stroke.....	0.335"	(8.5 mm)	0.177"	(4.5 mm)
<b>MODEL</b>	<b>2SF30GS</b>			
Flow.....	3.0 gpm	(11.4 l/m)		
Max. Discharge Pressure.....	2000 psi	(140 bar)		
Max. RPM.....	3450 rpm	(3450 rpm)		
Stroke.....	0.189"	(4.8 mm)		
<b>MODEL</b>	<b>2SF35ES</b>		<b>2SF35GS</b>	
Flow.....	3.5 gpm	(13.2 l/m)	3.5 gpm	(13.2 l/m)
Max. Discharge Pressure.....	1500 psi	(105 bar)	2000 psi	(140 bar)
Max. RPM.....	3450 rpm	(3450 rpm)	3450 rpm	(3450 rpm)
Stroke.....	0.220"	(5.6 mm)	0.220"	(5.6 mm)

Optional Electric-3/4" Shaft - 2SF30GES, 2SF35GES

ES, ELS = **Electric 5/8"** hollow shaft with bolt mount

GES = **Electric 3/4"** hollow shaft with bolt mount

GS = **Gas 3/4"** hollow shaft with bolt and adapter mount

Mounting Flange: SAE J609, Flange A, Extension 3 (3/4"Ø)

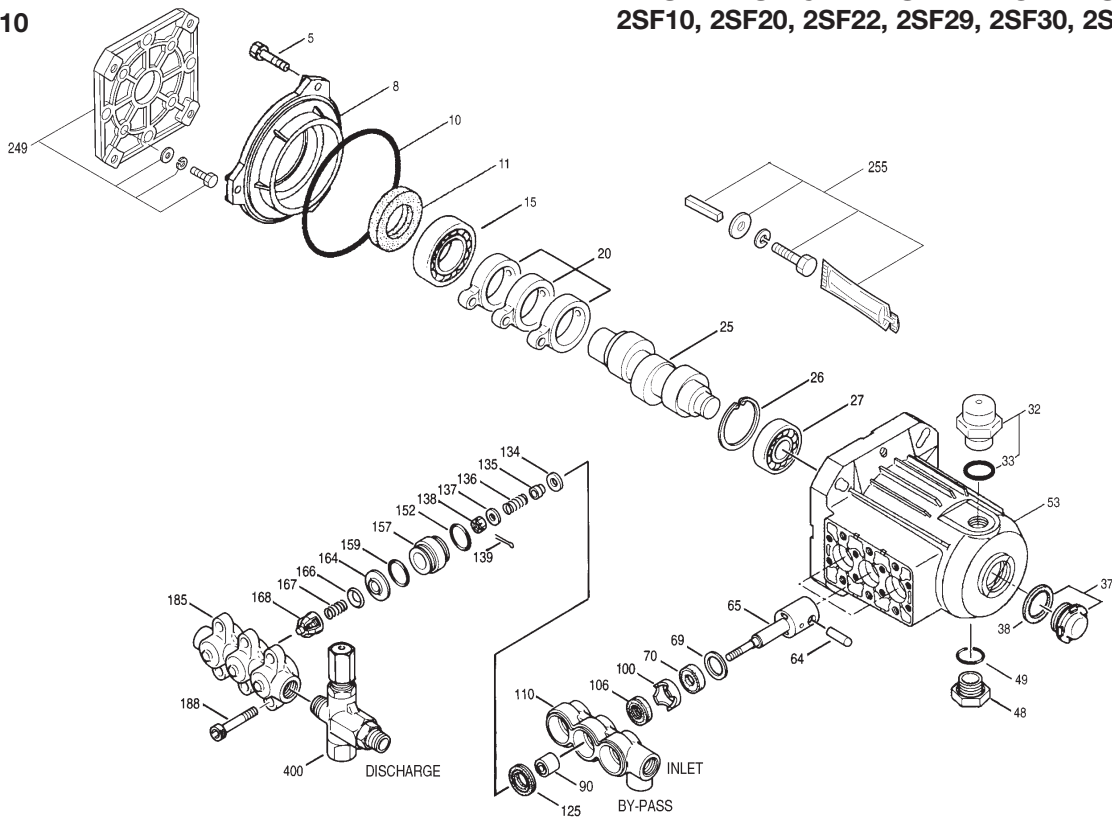
Shaft Length: 2.296, Pilot Ø= 1 5/8", B.C. Ø= 3 5/8", Thread= 5/16"- 24 UNC Tap

Refer to pump **Service Manual** for repair procedure and additional technical information.

*"Customer confidence is our greatest asset"*

# EXPLODED VIEW

September 2010



# SF PLUNGER PUMP MODELS

2SF10, 2SF20, 2SF22, 2SF29, 2SF30, 2SF35

## PARTS LIST

ITEM	P/N	MATL	DESCRIPTION	MODEL USED	QTY	ITEM	P/N	MATL	DESCRIPTION	MODEL USED	QTY
5	549360	STCP R	Screw, HH (M6x 14)	All Models	3	136	44872	S	Spring, Inlet Valve	All Models	3
8	547153	AL	Cover, Bearing, Inner [3/03]	All Models	1	137	88575	S	Washer, Conical (M6)	All Models	3
10	14041	NBR	O-Ring, Bearing Cover - 70D [3/03]	All Models	1	138	27000	S	Nut, Slotted (M6)	All Models	3
11	55337	NBR	Seal, Oil [3/03]	All Models	1	139	14158	S	Cotterpin (M1.6x10)	All Models	3
15	14488	STL	Bearing, Ball, Inner	All Models	1	152	26089	NBR	O-Ring, Adapter, Inner - 80D	All Models	3
20	547046	TNM	Rod, Connecting	All Models	3	11377	FPM	O-Ring, Adapter, Inner - 80D	All Models	3	
25	543135	FCM	Crankshaft, 3450 RPM, 5/8", 1.7mm	10ES	1	46647	EPDM	O-Ring, Adapter, Inner - 80D	All Models	3	
	46109	FCM	Crankshaft, 3450 RPM, 5/8", 3.1mm	20ES	1	44878	BB	Discharge Valve Adapter	All Models except 29ELS	3	
	46074	FCM	Crankshaft, 3450 RPM, 3/4", 3.35mm	22GS	1	45430	BB	Discharge Valve Adapter	29ELS	3	
	44929	FCM	Crankshaft, 3450 RPM, 5/8", 3.35mm	22ES	1	159	26089	NBR	O-Ring, Adapter, Outer - 80D	All Models	3
	546334	FCM	Crankshaft, 3450 RPM, 3/4", 4.8mm	30GS	1	11377	FPM	O-Ring, Adapter, Outer - 80D	All Models	3	
	44931	FCM	Crankshaft, 3450 RPM, 5/8", 4.5mm	30ES	1	46647	EPDM	O-Ring, Adapter, Outer - 80D	All Models	3	
	45096	FCM	Crankshaft, 3450 RPM, 5/8", 5.6mm	35ES	1	164	44881	S	Seat	All Models	3
	46017	FCM	Crankshaft, 3450 RPM, 3/4", 5.6mm	35GS	1	166	43723	S	Valve	All Models	3
	45160	FCM	Crankshaft, 1725 RPM, 5/8", 6.3mm	22ELS	1	167	541062	S	Spring	All Models	3
	45426	FCM	Crankshaft, 1725 RPM, 5/8", 8.5mm	29ELS	1	168	44565	PVDF	Retainer, Spring	All Models	3
26	12385	STL	Ring, Retaining	All Models	1	185	44879	BB	Manifold, Discharge	All Models	1
27	15710	STL	Bearing, Ball, Outer	All Models	1	188	126762	STCP R	Screw, HSH (M8x75)	All Models	6
32	547961	RTP	Cap, Oil Filler w/O-Ring	All Models	1	249	30520	—	Assy, Adapter Mount, Gas	30GS, 35GS	1
33	14179	NBR	O-Ring, Oil Filler Cap - 70D	All Models	1	255	30517	STZP R	Assy, Bolt Mount	All Models	1
37	92241	—	Gauge, Bubble Oil w/Gasket - 80D	All Models	1	283	990394	—	Kit, Oil Drain (Not Shown)	All Models	1
38	44428	NBR	Gasket, Flat Flex., Oil Gauge - 80D	All Models	1	285	80228	STL	Screw (M8-1.25x80) (Not Shown)	All Models	2
48	44842	NY	Plug, Drain (1/2" NPT)	All Models	1	300	34053	NBR	Kit, Seal (Incls: 106,125,139,152, 159)	All Models	1
49	14179	NBR	O-Ring, Drain Plug - 70D	All Models	1		33953	HT	Kit, Seal-Hi-Temp (Incls: 106,125,134,139,152,159)	All Models	1
53	547285	AL	Crankcase [3/03] (See Tech Bulletin 092)	All Models	1		33453	FPM	Kit, Seal (Incls: 106,125,139,152, 159)	All Models	1
64	16948	CM	Pin, Crosshead	All Models	3		30536	EPDM	Kit, Seal (Incls: 106,125,139,152, 159)	All Models	1
65	44865	SCP	Rod, Plunger	All Models except 29ELS	3	310	34052	NBR	Kit, Valve (Incls: 152,159,164,166,167,168)	All Models	1
	45427	SZZ	Rod, Plunger	29ELS	3	311	34668	NBR	Kit, Inlet Valve (Incls: 134-137,139,152,159)	All Models	1
69	126259	STCP R	Washer (M24)	All Models	3	352	44050	STZP	Tool, Oil Gauge Removal	All Models	1
70	25461	NBR	Seal, Oil	All Models	3	400	7500S	BB	Unloader, Regulating	All Models	1
90	45847	CC	Plunger (M18x14)	All Models except 29ELS	3	—	36086	—	Assembly, Pulsator	All Models	1
	45429	CC	Plunger (M18x16)	29ELS	3	—	6575	—	Plunger Pump Service DVD	All Models	1
100	44869	PVDF	Retainer, Seal	All Models	3	—	6107	—	Oil, Bottle (21 oz) ISO 68 Hydraulic	All Models	1
106	44876	NBR	Seal, LPS w/S-Spg	All Models	3				(Fill to specified crankcase capacity prior to start-up)		
	545192	FPM	Seal, LPS w/SS-Spg	All Models	3						
	546507	EPDM	Seal, LPS w/SS-Spg	All Models	3						
110	44874	BB	Manifold, Inlet	All Models	1						
125	43245	SNG	Seal, HPS w/S	All Models	3						
	46652	HT*	Seal, HPS "Hi-Temp" 2-Pc w/S-Support	All Models	3						
134	45854	S	Valve, Inlet	All Models	3						
	33873	NY	Valve, Inlet, Hi-Temp	All Models	3						
135	549520	S	Spacer, Inlet	All Models	3						

**Bold print part numbers are unique to a particular pump model. Italics are optional items. [ ]** Date of latest production change. R Components comply with RoHS Directive.

◆ Silicone Oil /Grease Required. View Tech Bulletins 002, 024, 036, 043, 055, 060, 064, 065, 070, 073, 074, 083, 091 and 092 for additional information.

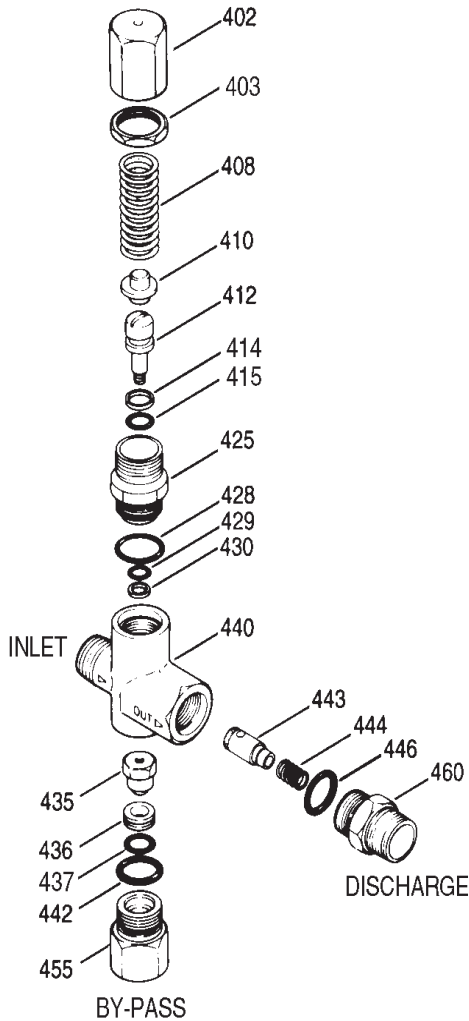
NOTE: Discard Key which may come standard with most motors and engines and use only the key included in this kit.

MATERIAL CODES (Not Part of Part Number): AL=Aluminum BB=Brass CC=Ceramic CM=Chrome-Moly FCM=Forged Chrome-moly FPM=Fluorocarbon

HT=Hi-Temp (EPDM Alternative) NBR=Medium Nitrile (Buna-N) NY=Nylon PVDF=Polyvinylidene Fluoride RTP=Reinforced Composite

S=304SS SCP=304SS/Chrome Plated SNG=Special Blend (Buna) STL=Steel STCP=Steel/Chrome Plated STZP=Steel/Zinc Plated SZZ=304SS/Zamak TNM=Special High Strength

Center raised pilot guide on the **Adapter Plate** assures proper alignment of pump and engine. Before mounting pump onto engine inspect engine for **recessed seal and bearing guide** to permit adapter to completely seat into recess and four bosses to be flush with engine face.



ITEM	P/N	MATL	DESCRIPTION	QTY.
402	540081	BB	Cap, Hex Adjusting	1
403	31047	BB	Nut, Lock (M18 x 1)	1
408	32094	STZP R	Spring, Pressure	1
410	107672	BB	Retainer, Spring	1
412	45694	S	Stem, Piston (M5)	1
414	20184	PTFE	Back-up-Ring, Piston Stem	1
415	14190	NBR	O-Ring, Piston Stem - 70D	1
	14161	FPM	O-Ring, Piston Stem - 70D	1
	◆ 48239	EPDM	O-Ring, Piston Stem	1
425	107673	BB	Retainer, Piston	1
428	13969	NBR	O-Ring, Piston Retainer - 70D	1
	14320	FPM	O-Ring, Piston Retainer - 70D	1
	◆ 547313	EPDM	O-Ring, Piston Retainer - 70D	1
429	14759	NBR	O-Ring, Body	1
	14160	FPM	O-Ring, Body - 80D	1
	◆ 46204	EPDM	O-Ring, Body - 70D	1
430	107675	PTFE	Back-up-Ring, Body	1
435	45696	BB	Valve and Ball Assembly (M5)	1
436	107680	S	Seat	1
437	13963	NBR	O-Ring, Seat - 70D	1
	14303	FPM	O-Ring, Seat - 70D	1
	◆ 547319	EPDM	O-Ring, Body - 70D	1
440	—	BB	Body	1
442	13969	NBR	O-Ring, By-Pass Fitting - 70D	1
	14320	FPM	O-Ring, By-Pass Fitting - 70D	1
	◆ 547313	EPDM	O-Ring, By-Pass Fitting - 70D	1
443	541060	BB	Valve, Check w/O-Ring	1
444	45924	S	Spring	1
446	13969	NBR	O-Ring, Discharge Fitting - 70D	1
	14320	FPM	O-Ring, Discharge Fitting - 70D	1
	◆ 547313	EPDM	O-Ring, Discharge Fitting - 70D	1
455	45695	BB	Fitting, By-Pass (3/8" NPTF)	1
460	107681	BB	Fitting, Discharge (3/8" NPTM)	1
465	7090	BB	By-Pass Hose (15" x 3/8")	1
466	7090.40	BB	By-Pass Hose w/Thermo Valve	1
	7090.35	RTP	By-Pass Hose w/Thermo Valve	1
468	32097	NBR	Kit, O-Ring (Incls: 414,415, 428, 429, 430, 437, 442, 446)	1
	31627	FPM	Kit, O-Ring (Incls: 414,415, 428, 429, 430, 437, 442, 446)	1
	◆ 31959	EPDM	Kit, O-Ring (Incls: 414,415, 428, 429, 430, 437, 442, 446)	1

*Italics are optional items. R Components comply with RoHS Directive.*

◆ Silicone Oil /Grease Required. MATERIAL CODES (Not Part of Part Number): BB=Brass  
 FPM=Fluorocarbon NBR=Medium Nitrile (Buna-N) PTFE=Pure  
 Polytetrafluoroethylene S=304SS  
 STZP=Steel/Zinc Plated

## 7500S UNLOADER SPECIFICATIONS

	U.S. Measure	Metric Measure
Flow Range .....	0.5-6.0 gpm	(1.89-23 l/m)
Pressure Range .....	100-2000 psi	(7-140 bar)
Inlet Port - Rear .....	3/8" NPTM	(3/8" NPTM)
Discharge Port - Front ....	M18 x 1.0	(M18 x 1.0)
By-pass Port - Bottom ....	3/8" NPTF	(3/8" NPTF)
Weight .....	14.4 oz.	(0.41 kg)
Dimensions.....	3.0 x 1.0 x 4.25"	(76 x 25 x 108 mm)

## UNLOADER TYPE

Each pump comes with a pressure sensitive regulating unloader. This unloader will set system pressure. While in by-pass the line pressure will drop to a low pressure mode and then quickly build up to set system pressure when the system is back to full use.

## INSTALLATION AND START-UP

Install a pressure gauge close to the manifold head of the pump to assist in setting system pressure and to periodically monitor system pressure.

By-pass line can be directed to the ground, or to a reservoir or be redirected to the 1/4"NPTF port on bottom side of inlet manifold. If routing to pump inlet use a 3/8" flexible hose and thermo valve.

**NOTE:** If not using a thermo valve **DO NOT EXCEED 6 MINUTES** in by-pass.

**NOTE:** For Hi-Temp seal pumps **DO NOT USE THERMO VALVE**, use optional dual pressure switches and mechanical relays.

Pump should be purged of air before commencing with operation. Liquid must flow through the pump without discharge restriction to assure full system pressure is reached.

Setting and adjusting the unloader pressure must be done with the system turned on. Start the system with the unloader backed off to the lowest pressure setting (counterclockwise direction). Squeeze the trigger and read the pressure on the gauge at the pump. Do not read pressure at the gun or nozzle. If more pressure is desired, release the trigger, turn adjusting cap one quarter turn in a clockwise direction. Squeeze the trigger and read the pressure. Repeat this process until the desired system pressure is reached. Thread locking nut up to adjusting cap.

**NOTE:** Pressure is not set at the factory.

## SERVICE

The unloader should be serviced on the same schedule as the seals in the pump. Refer to SF Plunger Pump Service Manual for start-up, servicing of seals and valves, torque requirements and diagnosis and maintenance chart.

# MOTOR SPECIFICATIONS

## Model 8050

Horsepower .....	1.5
Shaft Diameter .....	5/8"
Max. Volts.....	115/230
FULL LOAD AMPS .....	12.1
RPM.....	3450
Weight .....	32.1 lbs.
Phase.....	Single
Frame Size .....	56-C TEFC
Service Factor .....	1.15

## Model 8055

Horsepower .....	3.0
Shaft Diameter .....	●3/4"
Max. Volts.....	230
FULL LOAD AMPS .....	15.2/13.6
RPM.....	3450
Weight .....	46.3 lbs.
Phase.....	Single
Frame Size .....	56-C TEFC
Service Factor .....	1.15

●Use 3/4" shaft size motor with GES Models.

## ★ Model 8060

Horsepower .....	1.5
Shaft Diameter .....	5/8"
Max. Volts.....	115/230
FULL LOAD AMPS .....	14.0/7.0
RPM.....	1725
Weight .....	40 lbs.
Phase.....	Single
Frame Size .....	56-C TEFC
Service Factor .....	1.2

★ Use with ELS models or to reduce flow by 50% on standard models.

## Model 8125

Horsepower .....	2.5
Shaft Diameter .....	5/8"
Max. Volts.....	110/220, 115/230
FULL LOAD AMPS .....	23.6/11.8, 21/11.5
RPM.....	1450, 1750
Weight .....	52.9 lbs.
Phase.....	Single
Hertz .....	50/60
Frame Size .....	56-C TEFC
Service Factor .....	1.0, 1.2

## Model 8052

Horsepower.....	2.0
Shaft Diameter .....	5/8"
Max. Volts.....	115/230
FULL LOAD AMPS .....	17.0/9.2-8.5
RPM.....	3450
Weight .....	32.5 lbs.
Phase.....	Single
Frame Size .....	56-C TEFC
Service Factor .....	1.15

## Model 8057

Horsepower.....	5.0
Shaft Diameter .....	●3/4"
Max. Volts.....	230
FULL LOAD AMPS .....	22.0
RPM.....	3450
Weight .....	40 lbs.
Phase.....	Single
Frame Size .....	56-C OPEN DRIP
Service Factor .....	1.15

●Use 3/4" shaft size motor with GES Models.

## ★ Model 8062

Horsepower .....	2.0
Shaft Diameter .....	5/8"
Max. Volts.....	115/230
FULL LOAD AMPS .....	17.0/8.5
RPM.....	1725
Weight .....	43.7 lbs.
Phase.....	Single
Frame Size .....	56-C TEFC
Service Factor .....	1.15

★ Use with ELS models or to reduce flow by 50% on standard models.

## Common Motor Specifications

Max. Ambient Temp.....	104°F
Capacitor Start.....	Yes
Thermal Overload-Manual Reset	Yes
Hertz .....	60

Note: Motor Start-Up AMPS may vary, then settle within FULL LOAD AMPS rating after initial run in time.

★★ Before mounting pump on motor, apply P.N. 6106 Antiseize Lubricant to pump shaft.

★★ Refer to Tech Bulletin 055 for instructions on removing pump from gas engine or electric motor.

For warranty consideration contact CAT PUMPS for the local **Authorized Service Center**. If you are uncertain as to the cause of failure (Pump or Motor), secure **Returned Goods Authorization number** and return complete assembly **PREPAID** to CAT PUMPS for evaluation.

## ELECTRIC HORSEPOWER REQUIREMENTS

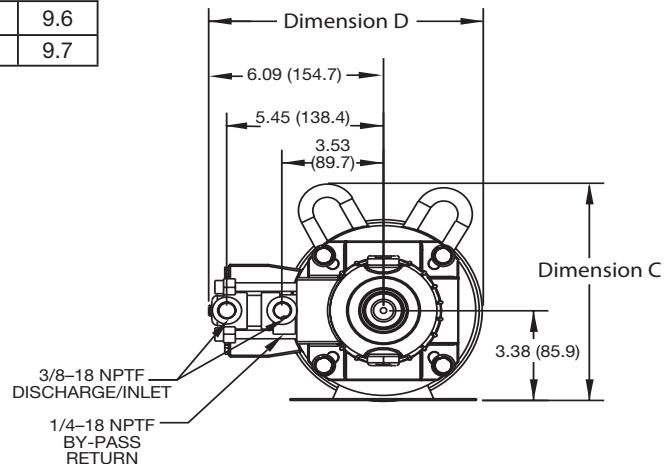
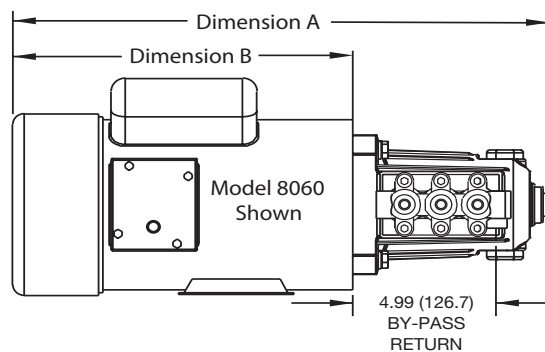
FLOW		PRESSURE					PUMP RPM
		psi 700	psi 1000	psi 1200	psi 1500	psi 2000	
U.S. gpm	Metric l/m	bar 50	bar 70	bar 85	bar 105	bar 140	
1.0	3.8	.48	.68	.82	1.0	1.4	3450
2.2	8.3	1.1	1.5	1.8	2.3	3.0	1725/3450
2.85	10.8	1.36	2.0	2.3	2.9	N/A	1725
3.0	11.4	1.4	2.1	2.5	3.1	4.1	3450
3.5	13.2	1.67	2.39	2.87	3.59	N/A	3450

## DETERMINING THE REQUIRED H.P.

$$\frac{\text{gpm} \times \text{psi}}{1460} = \text{Electric Brake H.P. Required}$$

## 2SF DIMENSIONAL DRAWING

MODEL	8050	8052	8055	8057	8060	8062	8125
Dimension A	18.2	18.2	20.0	18.7	18.7	19.2	19.1
Dimension B	11.3	11.3	13.1	11.8	11.8	12.3	12.2
Dimension C	8.4	8.4	8.3	9.0	8.1	8.1	9.6
Dimension D	9.5	9.5	9.5	9.5	9.5	9.5	9.7



## World Headquarters

### CAT PUMPS

1681 - 94th Lane N.E. Minneapolis, MN 55449 - 4324

Phone (763) 780-5440 — FAX (763) 780-2958

e-mail: techsupport@catpumps.com

www.catpumps.com

## International Inquiries

FAX (763) 785-4329

e-mail: intlsales@catpumps.com



The Pumps with Nine Lives

## CAT PUMPS (U.K.) LTD.

1 Fleet Business Park, Sandy Lane, Church Crookham

FLEET, Hampshire, GU52 8BF, England

Phone Fleet 44 1252-622031 — Fax 44 1252-626655

e-mail: sales@catpumps.co.uk www.catpumps.co.uk

## N.V. CAT PUMPS INTERNATIONAL S.A.

Heiveldekens 6A, B-2550 Kontich, Belgium

Phone 32-3-450.71.50 — Fax 32-3-450.71.51

e-mail: cpi@catpumps.be www.catpumps.be

## CAT PUMPS DEUTSCHLAND GmbH

Buchwiese 2, D-65510 Idstein, Germany

Phone 49 6126-9303 0 — Fax 49 6126-9303 33

e-mail: catpumps@t-online.de www.catpumps.de